

## 5. General Specifications:

SENSOR SET: Implementation 300-02  
CURRENCY AND INTERFACES See Software Description document

### ELECTRICAL SPECIFICATION:

Operating Voltage	Maximum Operating Current	Maximum Current
24 V AC / 18...40 V DC	0.36 A	2.0 A

Use only current limiting CSA or UL recognized CLASS 2 Power Supply.

OPERATING TEMPERATURE: -18 to +60 degrees Celsius  
TOTAL WEIGHT: 1.5 kg with Cassette

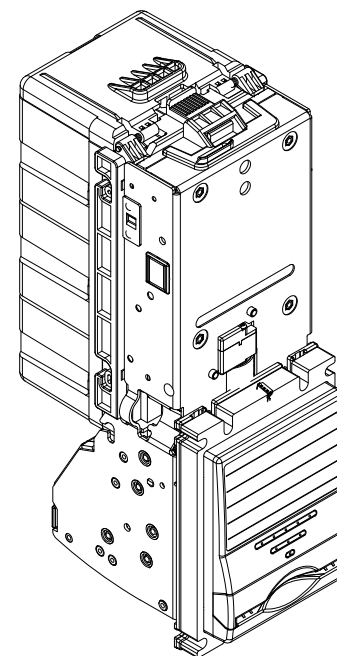
FEATURES: CASHCODE MDB interface  
Blue Runway Lights (cassette Up) Bezel, Handled Bill width 66 mm  
Cassette 300 Bills

ENCLOSURE: Bill Acceptor with a Stacker  
User's Guide  
Software description  
Accessories:  
Front Label  
MDB Harness, Part # OPT-HS-MDB-1  
Mounting kit for grounding connection, # OPT-MKSM-GND  
Nut, # 5310018 4 pcs.

OPTIONAL ACCESSORIES:



Hardware part # **SMV-4017**



### 1. DIP Switches Setting

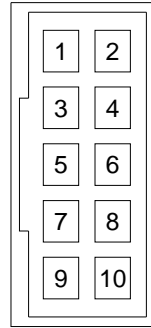
See Software Description document.



A division of CRANE PAYMENT SOLUTIONS  
2720 Steeles Avenue West, Units 2-3, Concord, ON, Canada, L4K 4S3  
TEL: (905) 303-8874, 1(800)-584-2633  
FAX: (905) 303-8875, 1(800)-593-2633  
Web Address: [www.cashcode.com](http://www.cashcode.com)  
Email: [support@cashcode.com](mailto:support@cashcode.com)

## 2. MDB connector pinout

Pin	Circuitry
1	AC / DC(+)
2	AC / DC(-)
3	N/C
4	Master Receive
5	Master transmit
6	Common
7	Secondary Channel Master transmit
8	Secondary Channel Master Receive
9	GND (Communication Ground)
10	+5V (for test purposes only)



Mating connector:

### MOLEX:

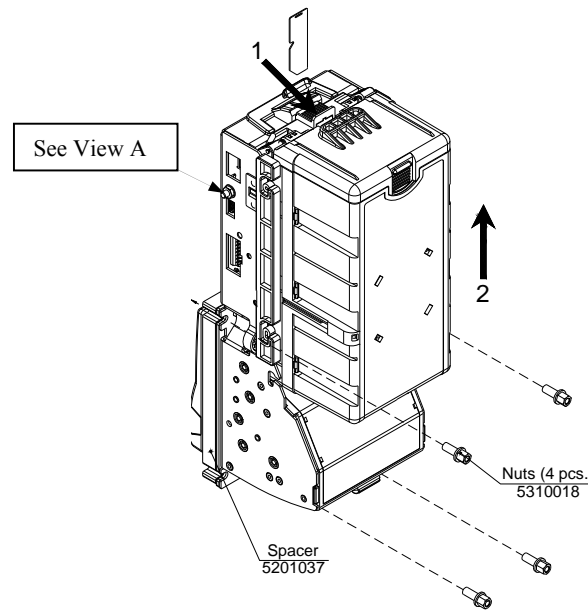
Dual Row Crimp Connector Housing # 90142-0010 - 1 pcs.

Pins Female Crimp Terminal, # 90119-2110 -10 pcs.

## 3. Diagnostics

Insert a bill in the entry slot while device is in solid red, count the number of flashes and compare with the diagnostic chart below:

## of flashes	Malfunction
1 red on black	Cassette is removed from bill acceptor
3 red on black	Cassette is full
4 red on black	Failure of stacker mechanism
6 red on black	Failure of optical sensors
7 red on black	Failure of magnetic sensors
8 red on black	Transporting motor failure (timeout)
9 red on black	Speed of transporting motor is too fast
11 red on black	Bill pathway is not empty (bill is jammed)
12 red on black	Fail rejecting a bill. Bill is in the entry slot of the cassette.
13 red on black	Wrong type of the Sensor Set
1 blue on red	Unable to write program memory
2 blue on red	Firmware integrity error
3 blue on red	Wrong memory card
4 blue on red	Security error
Steady red	Firmware CRC error. Waiting for interface download



### To remove cassette:

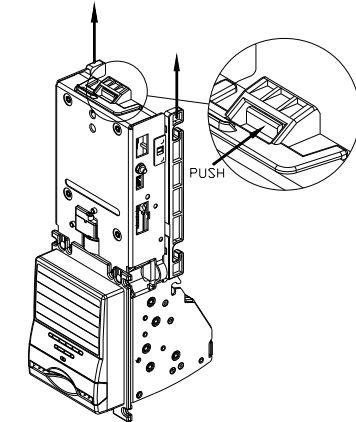
1. Pull the grey tab and hold it
2. Move the Cassette up and then backwards

Note: Use Nuts 5310018 with Spacer 5201037. Without Spacer 5201037 use standard Nuts #8.

### Holder Removal and Installation

To remove the holder remove the cassette first and then, push on latch, raise the holder and remove it.

**CAUTION:**  
**NEVER remove (or install) the Holder WITH the Cassette attached!!!**



### VIEW A

Protective-earth ground terminal must be connected to the automat local electric earth. Electric earth connection must be made by cable OPT-MKSM-GND or another copper wire cable with wire gage 14.... 12 AWG. Use the shortest, practical wire length.

Refer to local wiring codes and regulations for grounding requirements

